



The **DMS6xx2** integrated motors have **NEMA23** flange and nominal torque up to **3.0Nm** and are equipped with **CANopen** fieldbus (/CiA301/ and /CiA402/ profile).

The fully digital realization and the vector control of the motor ensure the optimal torque delivery throughout the speed range.

The models with integrated **Encoder** allow the **closed-loop** control which eliminates stall problems, allows torque control, reduces noises and improves the overall performance of the application. Activating the dynamic current control, the motor heating and the energy consumption are reduced.

The integrated drive can operate according to the *Profile Position*, *Profile Velocity*, *Profile Torque* and **Interpolated position**. Also available the **Homing** mode, which includes more than 50 different types of homing.

The power supply can be removed to secure the application while still leaving the bus active through the auxiliary power supply.

The compact size and the complete set of I/Os simplify the installation and reduce the wiring costs.



### Family Development

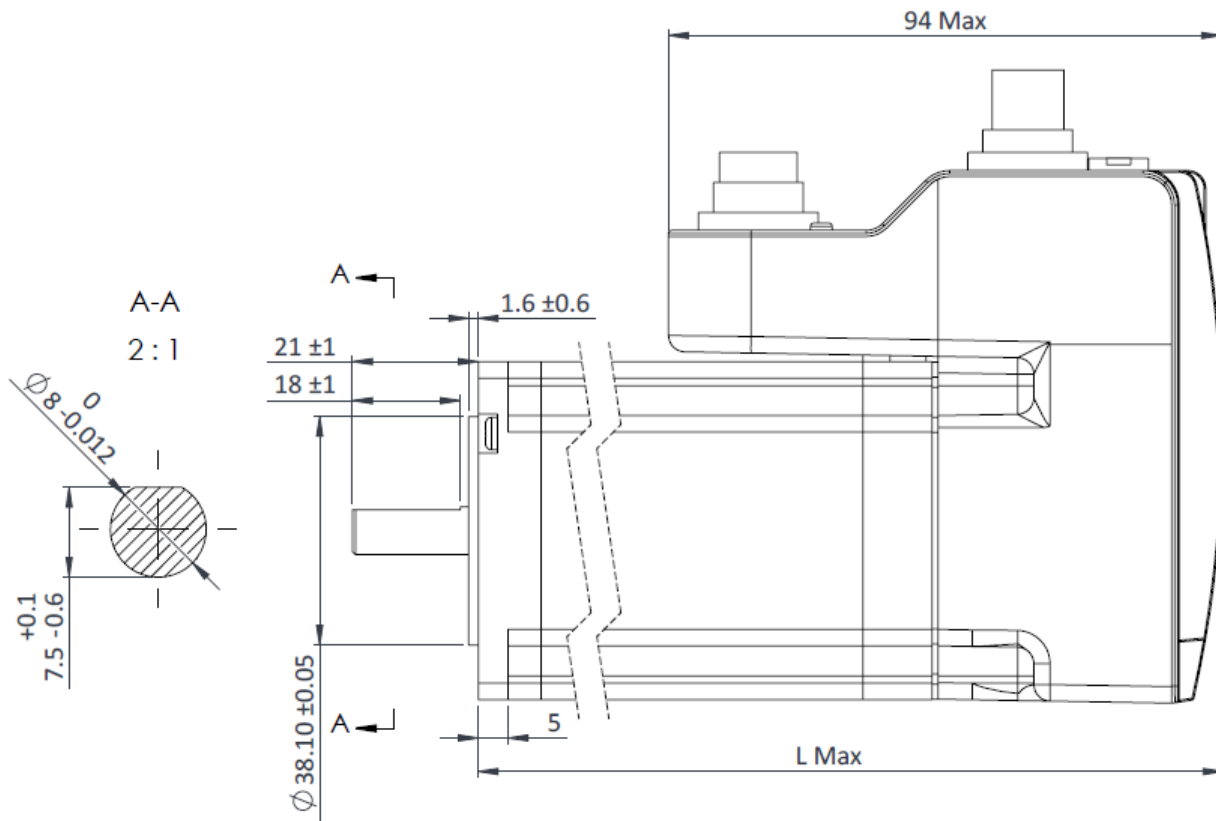
Power Supply / Motor Torque	3 Digital Inputs 3 Digital Inputs/Outputs 2 Analog Inputs	3 Digital Inputs 3 Digital Inputs/Outputs 2 Analog Inputs <b>Closed loop incremental Encoder</b>
24Vdc Auxiliary Power Supply		
20..50Vdc / 1.1Nm	<b>DMS604241</b>	<b>DMS624241</b>
20..50Vdc / 1.8Nm	<b>DMS604264</b>	<b>DMS624264</b>
20..50Vdc / 3.0Nm	<b>DMS604271</b>	<b>DMS624271</b>
24..90Vdc / 1.1Nm	<b>DMS607241</b>	<b>DMS627241</b>
24..90Vdc / 1.8Nm	<b>DMS607264</b>	<b>DMS627264</b>
24..90Vdc / 3.0Nm	<b>DMS607271</b>	<b>DMS627271</b>

The setting and diagnostics are possible through the use of the free **Omni Automation IDE** commissioning software.

*All mentioned trademarks belong to their legitimate owners as well as products and trade names .*

### LAM Technologies

Viale Ludovico Ariosto, 492/D  
50019 Sesto Fiorentino (FI)  
Ph.: 055 4207746  
Email: [info@lamtechnologies.com](mailto:info@lamtechnologies.com)  
[www.lamtechnologies.com](http://www.lamtechnologies.com)



Model	L Max (mm)
DMS6xx241	106
DMS6xx264	126
DMS6xx271	150

